

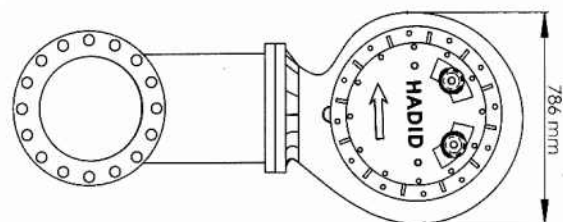
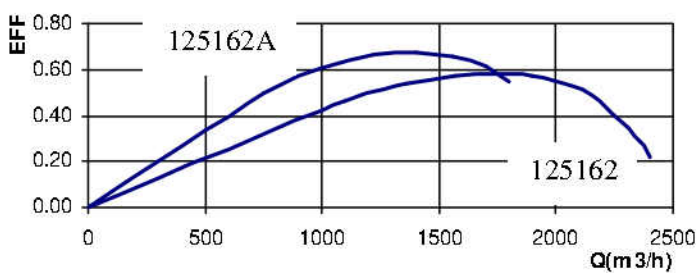
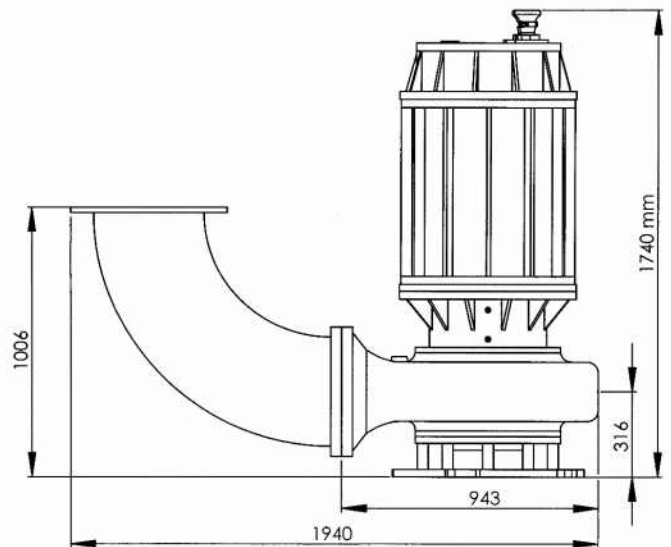
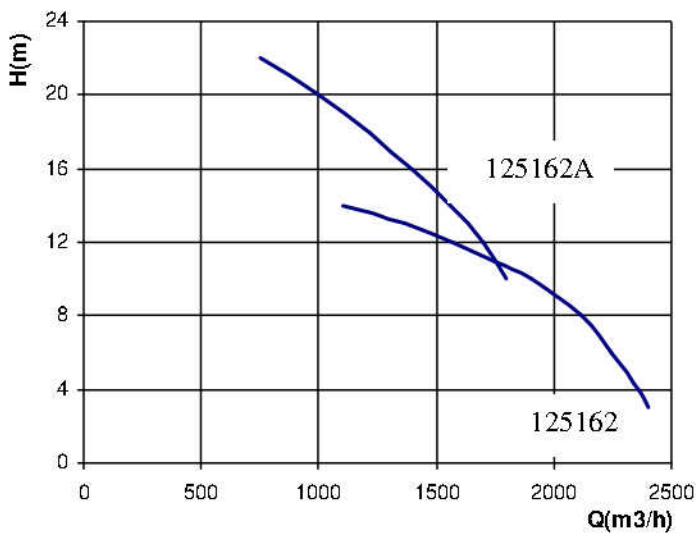


ENGINEERING INFORMATION

TYPE 125162		CAPACITY										
		m ³ /h	2400	2360	2245	2115	1900	1750	1570	1100		
KW	92	OUTLET 20 in	l/s	667	656	624	588	528	487	436	306	
HP 125		HEIGHT										
R.P.M	980	weight 1300 kg	m	3	4	6	8	10	11	12	14	

TYPE 125162A		CAPACITY										
		m ³ /h	1800	1700	1560	1400	1220	1000	750			
KW	92	OUTLET 20 in	l/s	500	473	434	389	339	278	209		
HP 125		HEIGHT										
R.P.M	1450	weight 1300 kg	m	10	12	14	16	18	20	22		

IP68 - CLASS F – 380/660 V (Y/Δ) - 180 A - 50HZ





ENGINEERING INFORMATION

TYPE 125202		CAPACITY										
		m3/h	2300	2260	2145	2015	1800	1650	1470	1000		
KW 92	OUTLET 16 in	l/s	639	628	596	560	500	459	409	278		
HP 125		PIPE DN 400		HEIGHT								
R.P.M 980	weight 1300 kg	m	5	6	8	10	12	13	14	16		

TYPE 125202A		CAPACITY										
		m3/h	1690	1600	1460	1300	1120	900	650			
KW 92	OUTLET 16 in	l/s	470	445	406	361	311	250	181			
HP 125		PIPE DN 400		HEIGHT								
R.P.M 1450	weight 1300 kg	m	14	16	18	20	22	24	26			

IP68 - CLASS F – 380/660 V (Y/Δ) - 180 A - 50HZ

